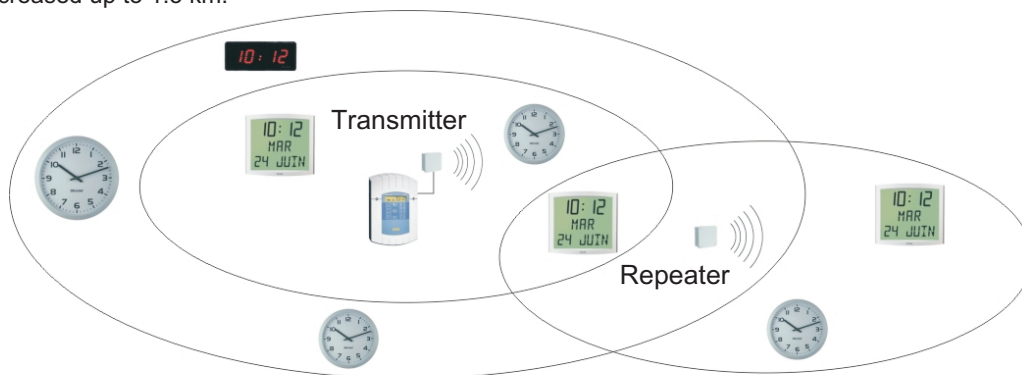


Radio time synchronisation secondary transmitter DHF V2 927241

The HF (869MHz) radio transmitter sends the time code that it receives from the master clock.

The 869 MHz radio waves go through building walls: the coverage is about 100 to 200 metres and depends on the number, structure and thickness of the walls. The DHF wireless time distribution uses a secured digital transmission to avoid interferences with other transmissions.

In case of complex installation or when the reception is difficult, a secondary transmitter allows the coverage area to be increased up to 1.5 km.



Specifications

Indoor or outdoor use.

Power supply : 100-240 V 50-60 HZ

Nominal current : 20 mA

Electrical insulation : Class II

Operating temperature : -10°C to +50°C

Protection index: IP54 and IK 07.

This system is compliant with :

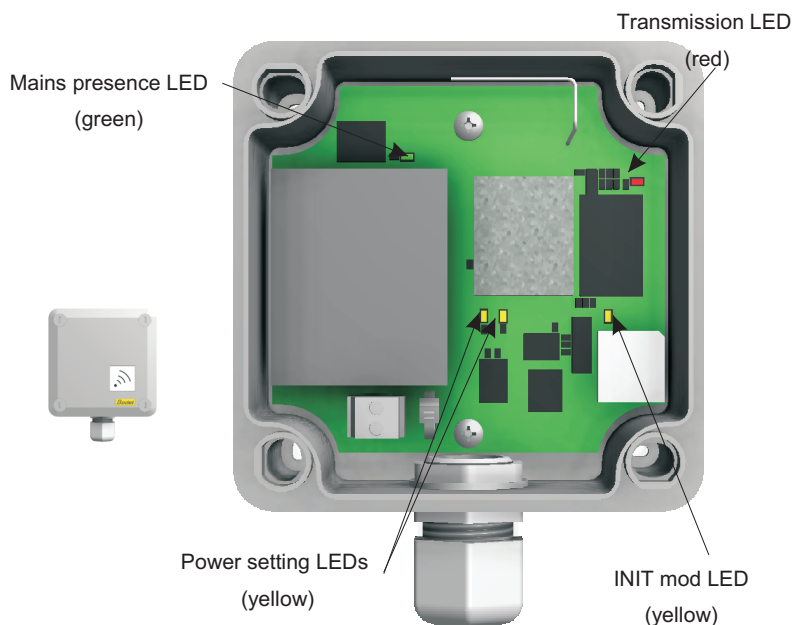
EN 60950 (2006).

EN 301-489-3 (V1.4.1).

EN 300-220-2 (V2.3.1).

EN 62311 (2008).

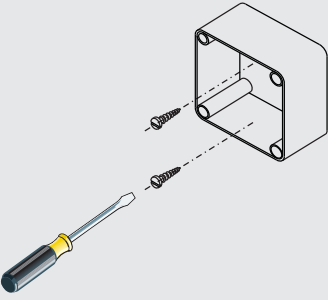
NFS 87-500-C.



| | | |
|----------------------------|--|---|
| What to do if ... ? | Some clocks are not synchronised. | Make sure that the main transmitter and the slave clocks are in the "Init" mode. Verify that the secondary transmitter red LED is blinking regularly. Increase the transmitter power. See diagram (7A). |
| | Transmission power set to the maximum, some clocks are still not synchronised. | Add a repeater (See 2). |
| | You are close to an existing wireless clock system. | See to it that the secondary transmitter is paired to the proper main transmitter, see (5). |

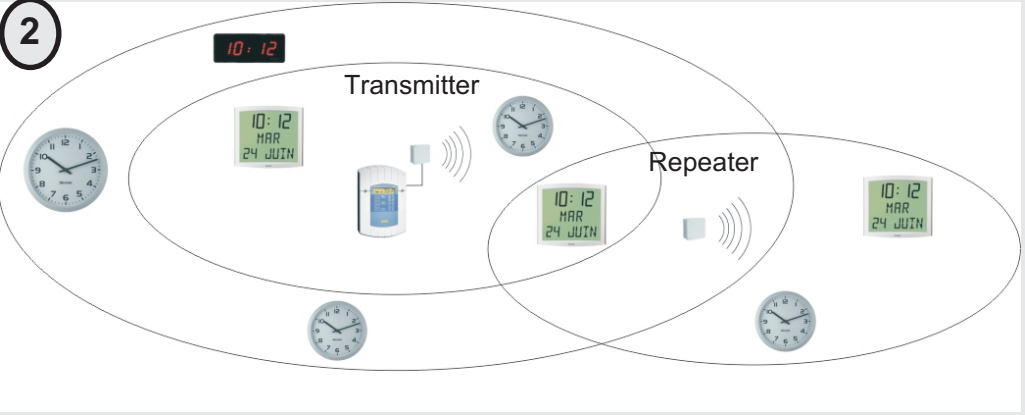
Radio time synchronisation secondary transmitter DHF V2 927241 Start up instructions

1



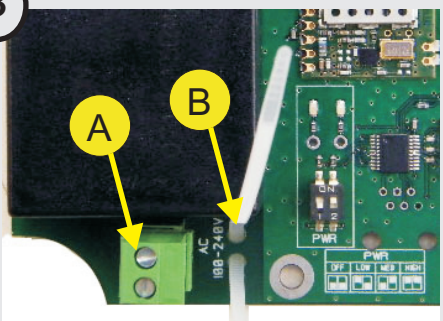
Mount the repeater in the area covered by the transmitter. Under no circumstances the transmitter should be directly mounted on a metallic surface.

2



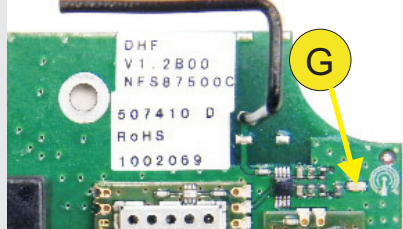
The DHF repeater V2 (ref.: 927241) enables to extend an area non covered by the main DHF transmitter.

3



Connect the 230V (A) and secure the powercable with the tie-wrap (B). Apply the power.

4



Status of the DHF repeater at the first start up.

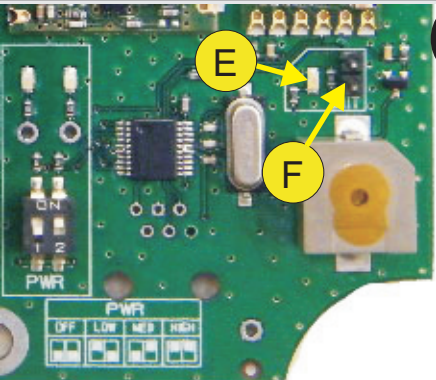
- Power DIP (D) in position MED (125W).
- Power setting LED (C) ON (125 mW)
- INIT mode yellow LED (E) blinks (waiting for the initialization of the main transmitter),
- DHF transmission Red LED (G) OFF.

5

The DHF repeater must be paired with the DHF transmitter in order to work properly:

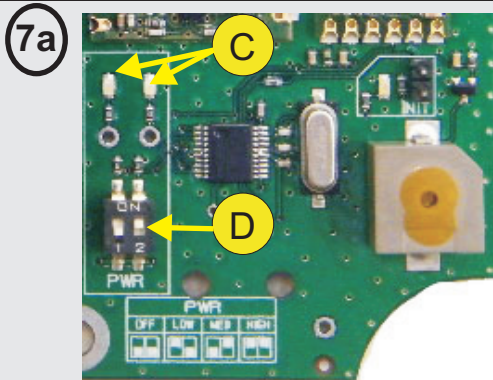
- Check that the « Init » mode yellow LED blinks. If not, set up again the repeater in « Initialization » mode (part 6).
- Set up the main transmitter in "Init" mode.
- Once the signal of the main transmitter is transmitted, the « Init » mode yellow LED is OFF and the DHF transmission red LED is ON.

6



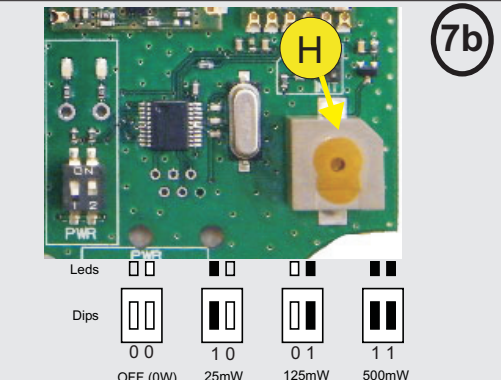
In "initialisation" mode, the LED (E) is on. To switch the repeater back in Init mode, short the two pins (F) for 3 seconds.

7a



You can adapt the transmission power with two DIP switches (D). LEDs (C) allow you to check your setting.

7b



| | | | | |
|------|---|--|--|---|
| Leds | <input type="checkbox"/> <input type="checkbox"/> | <input checked="" type="checkbox"/> <input type="checkbox"/> | <input type="checkbox"/> <input checked="" type="checkbox"/> | <input checked="" type="checkbox"/> <input checked="" type="checkbox"/> |
| Dips | <input type="checkbox"/> <input type="checkbox"/> | <input checked="" type="checkbox"/> <input type="checkbox"/> | <input type="checkbox"/> <input checked="" type="checkbox"/> | <input checked="" type="checkbox"/> <input checked="" type="checkbox"/> |
| | 0 0 | 1 0 | 0 1 | 1 1 |
| | OFF (0W) | 25mW | 125mW | 500mW |

If some clocks are not synchronised, increase the transmission power.

The DHF repeater has a buzzer (H). It can be activated from the master clock Sigma to help in localizing the DHF repeater.